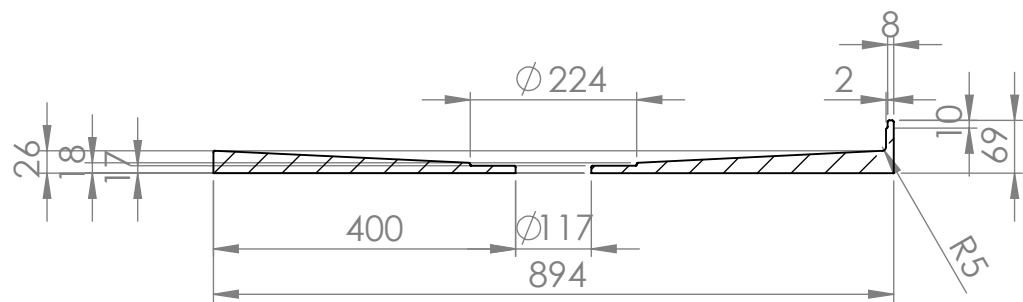
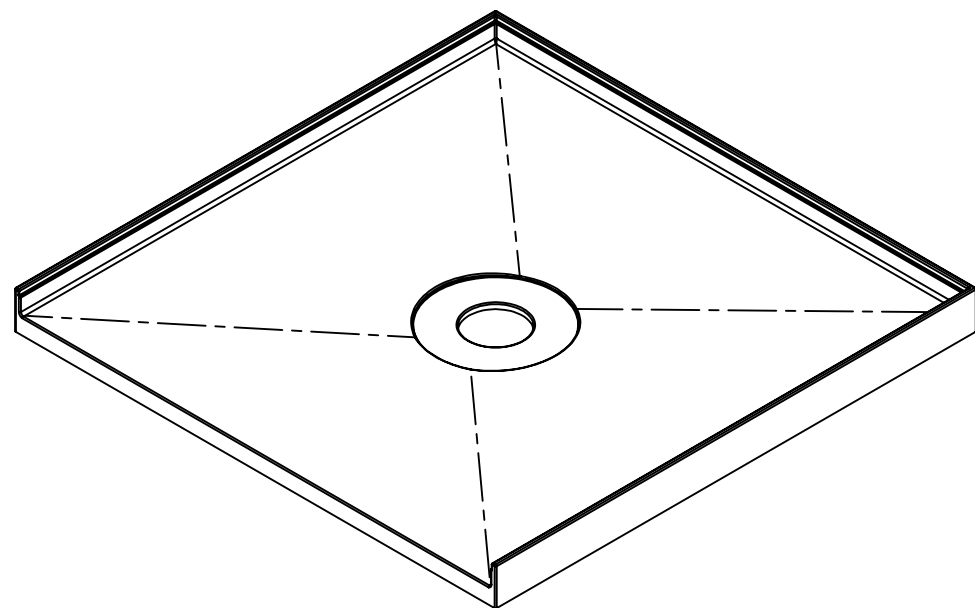


ITEM NO.	PART NUMBER	DESCRIPTION	QTY.
1	121.99.00.05	Tile-Over Tray 900x900 Centre Outlet	1

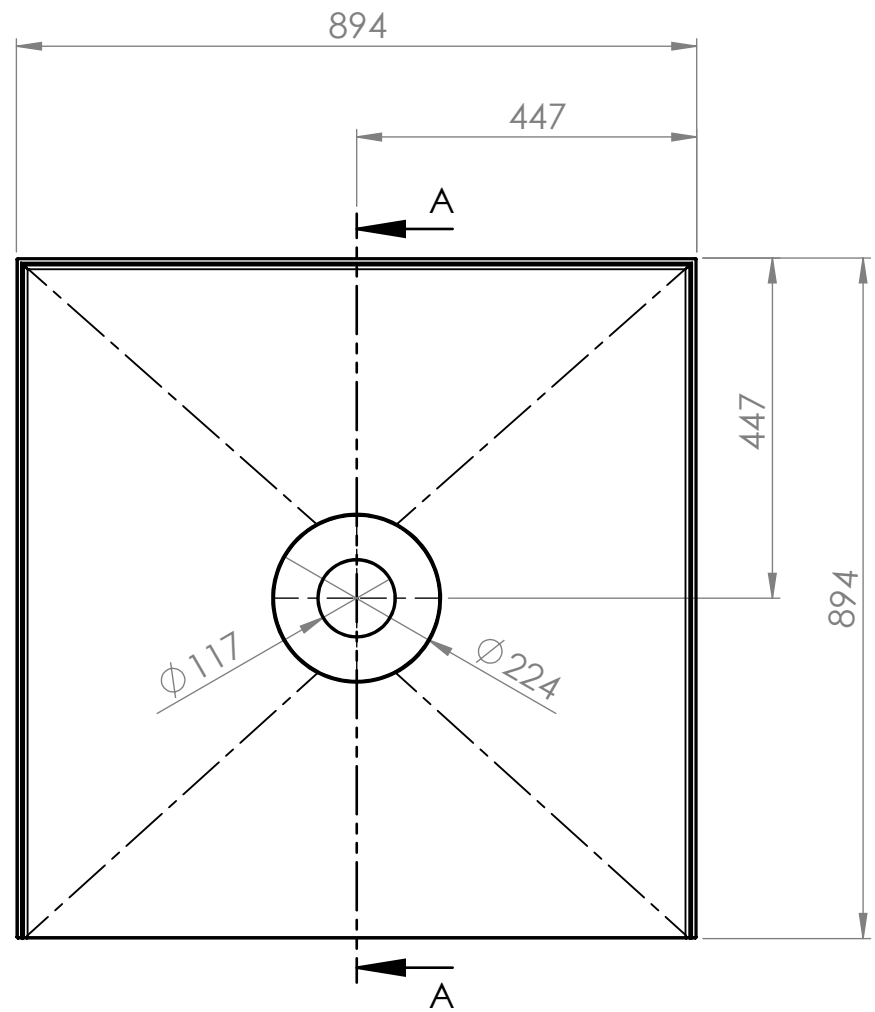


SECTION A-A


CROSS SECTION VIEW



ISOMETRIC VIEW



TOP VIEW

 Showerline 5 Kim Court North Geelong VIC 3215 Phone: 1800 688 745 Fax: n/a Email: n/a Website: www.showerline.com.au	Material: High Density Polyurethane	DO NOT SCALE DRAWING		REVISION 1.0
	Part Number: 121.99.00.05	TITLE: Tile-Over Tray 900x900 Centre Outlet (3Sided) DRAWING rev1.0		
	UNLESS OTHERWISE SPECIFIED: DIMENSIONS ARE IN MILLIMETERS SURFACE FINISH: TOLERANCES: 5mm ALL FILLETS 2mm UNLESS SPECIFIED	SIZE A	DWG NO. 7 of 12	A3 PAGE: 1
	Draw and prepared by NAME: Jason Duong SIGNATURE: [Signature] DATE: 17/07/2017	SCALE: 1:10		
This drawing and design belongs to Showerline Patent (prov.) 2012904805				

