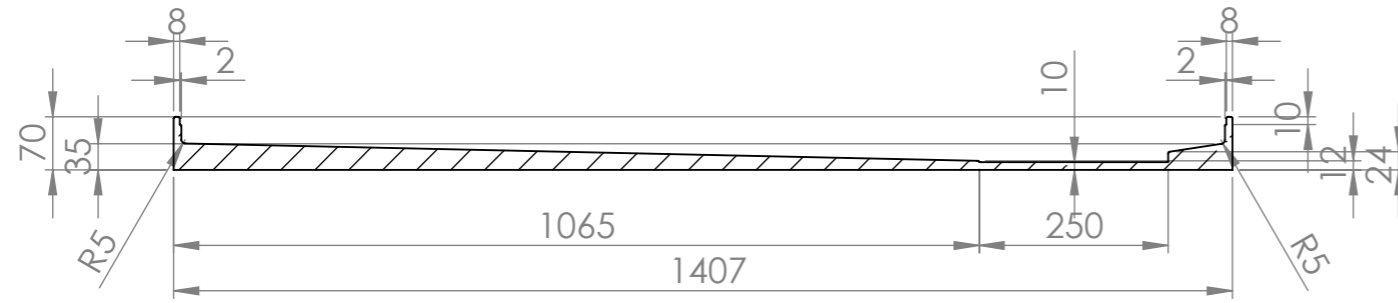
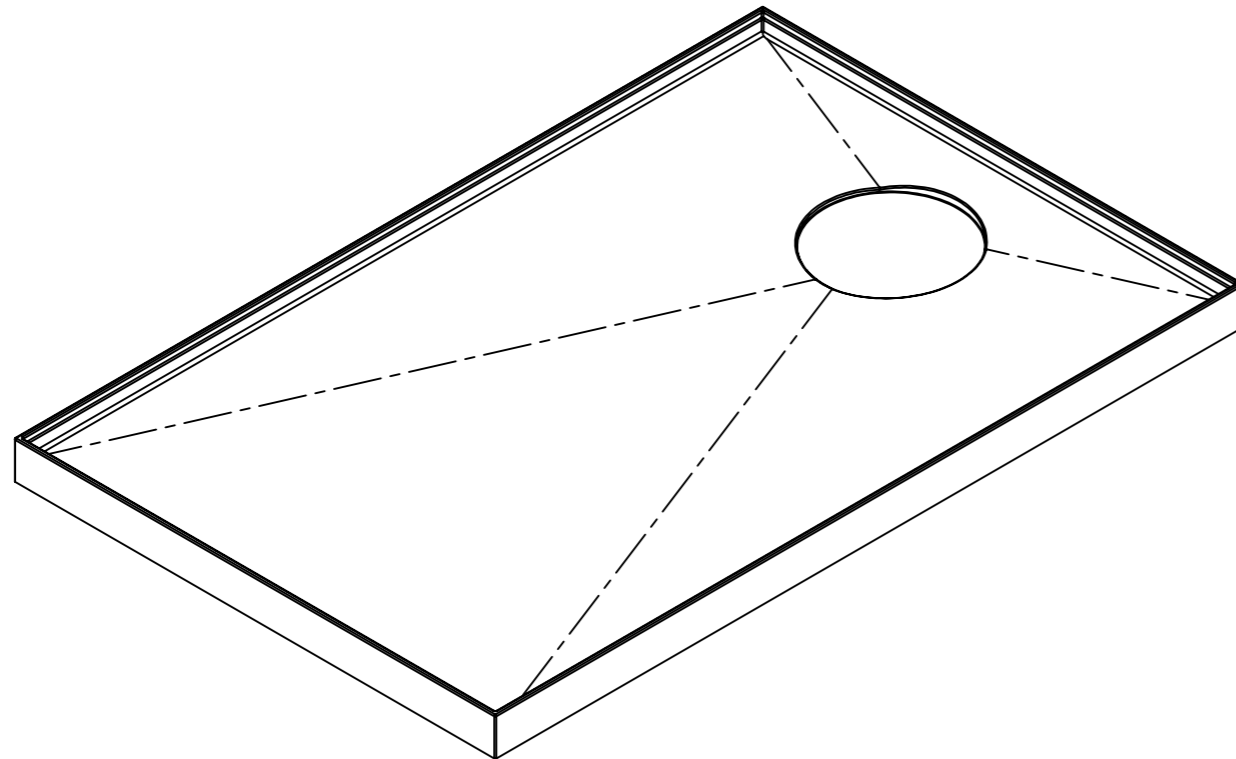


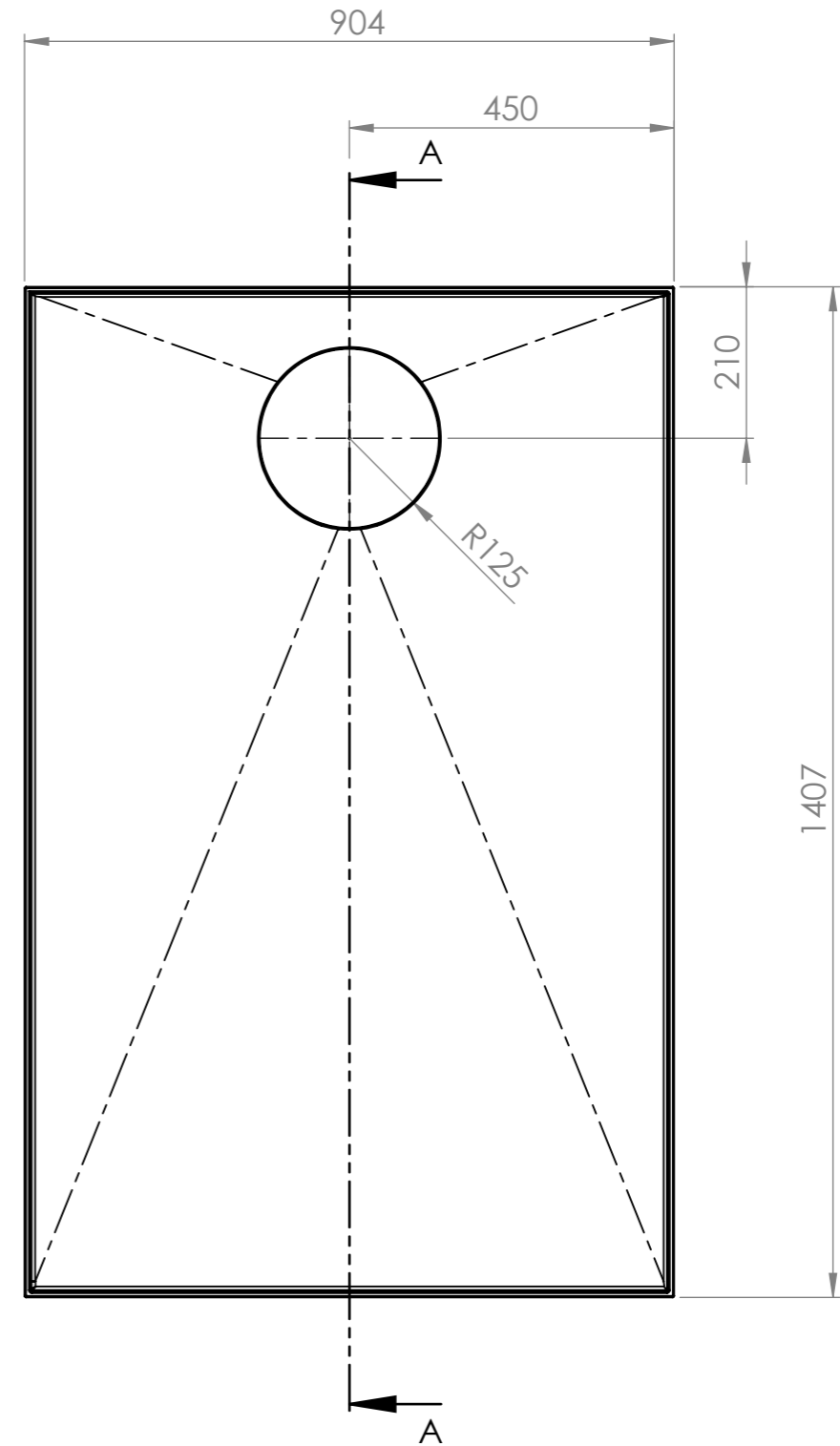
ITEM NO.	PART NUMBER	DESCRIPTION	QTY.
1	121.88.01.34	Tile-Over Tray 900x1400 Rear Outlet	1




SECTION A-A  
CROSS SECTION VIEW



ISOMETRIC VIEW



TOP VIEW

 Showerline 5 Kim Court North Geelong VIC 3215 Phone: 1800 688 745 Fax: n/a Email: n/a Website: www.showerline.com.au	Material:	DO NOT SCALE DRAWING		REVISION 1.0
	High Density Polyurethane	TITLE:		
	Part Number:	Tile-Over Tray 900x1400 Rear Outlet (4Sided) DRAWING rev1.0		
	121.88.01.34	SIZE	DWG NO.	A3
<small>UNLESS OTHERWISE SPECIFIED:          DIMENSIONS ARE IN MILLIMETERS          SURFACE FINISH:          TOLERANCES: 5mm          ALL FILLETS 2mm UNLESS SPECIFIED</small>		A	4 of 12	PAGE: 1
Draw and prepared by NAME SIGNATURE DATE Jason Duong		SCALE:1:10	This drawing and design belongs to Showerline Patent (prov.) 2012904805	

