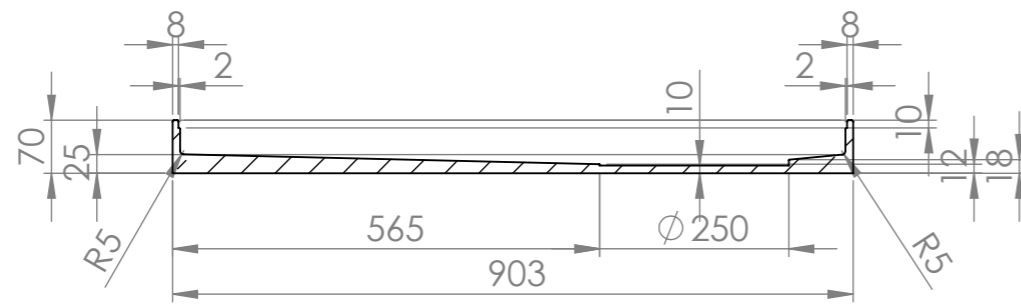
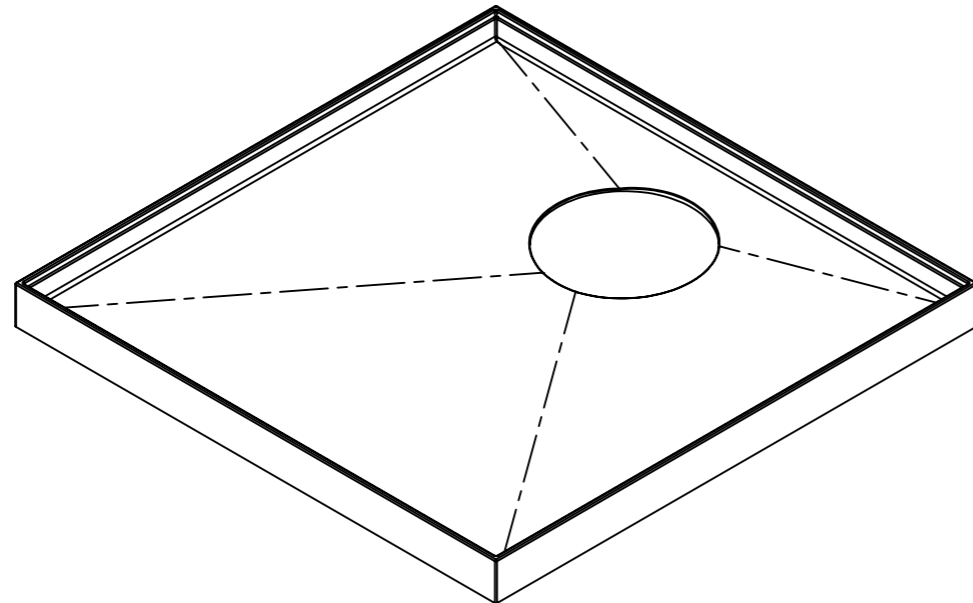


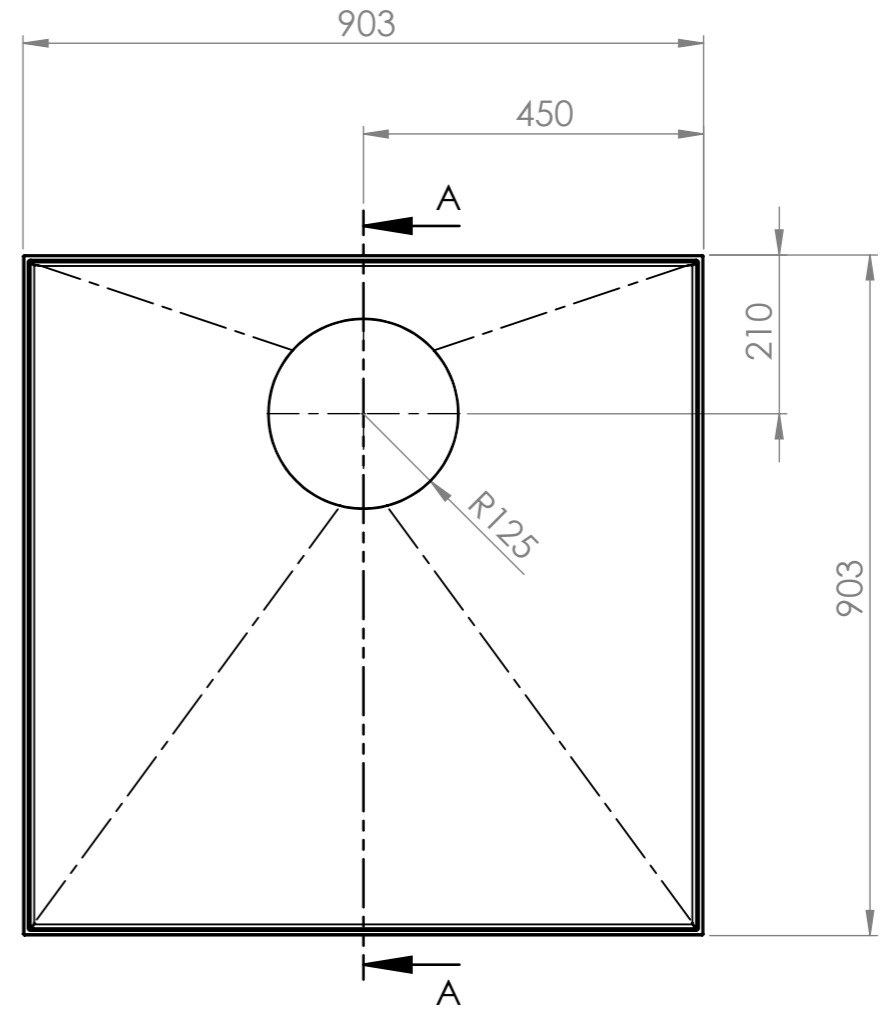
ITEM NO.	PART NUMBER	DESCRIPTION	QTY.
1	121.88.01.05	Tile-Over Tray 900x900 Rear Outlet	1




SECTION A-A
CROSS SECTION VIEW



ISOMETRIC VIEW



TOP VIEW

 Showerline 5 Kim Court North Geelong VIC 3215 Phone: 1800 688 745 Fax: n/a Email: n/a Website: www.showerline.com.au	Material:	DO NOT SCALE DRAWING		REVISION 1.1
	High Density Polyurethane	TITLE:		
	Part Number:	Tile-Over Tray 900x900 Rear Outlet (4Sided) DRAWING rev1.1		
	121.88.01.05	SIZE	DWG NO.	A3
UNLESS OTHERWISE SPECIFIED: DIMENSIONS ARE IN MILLIMETERS SURFACE FINISH: TOLERANCES: 5mm ALL FILLETS 2mm UNLESS SPECIFIED	A	1 of 12	PAGE: 1	
Draw and prepared by	SCALE:1:10			
NAME SIGNATURE DATE	This drawing and design belongs to Showerline Patent (prov.) 2012904805			
Jason Duong				

