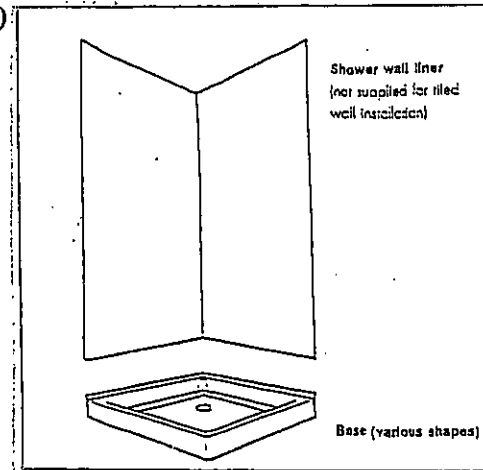


INSTALLATIONS INSTRUCTIONS

SHOWER BASE AND WALL LINER (ALL 2 SIDED UNITS)



IMPORTANT

BASE MUST BE FULLY SUPPORTED

CHECK COMPONENTS	BEFORE YOU BEGIN	CARE & CLEANING
<p>Before you start with the installation of the shower, open the packs and check that you have the following components and that they are undamaged</p> <ul style="list-style-type: none"> ◆ Instruction / Installation Guide ◆ Shower Base ◆ Shower Wall liner (not supplied for tiled wall installation) ◆ Shower Screen Pack (optional) ◆ Shower Adhesive ◆ Shower Tower Unit (Optional) 	<p>Wallboard. In most cases Shower Systems are installed over a waterproof wallboard. Check that the wallboard is secure (by fixing firmly to the studs with clouts at 200mm centres).</p> <p>Plumbing. The plumbing for the shower should be installed by a qualified plumber.</p>	<p>shower wall surfaces are Acrylic. Be aware that scourers and abrasive cleaners will scratch the surface of your shower. Under no circumstances use solvents or solvent based cleaners.</p>

TOOLS YOU WILL NEED

Pencil, Tape Measure, Level, a Square, masking tape, knife or small saw for cutting the Wall Liner, jig saw for cutting waste hole. (This could also be done using a power drill fitted with a hole saw or by drilling a series of smaller holes in a circle). Rags for cleaning away any excess glue.

WORKING WITH THE MATERIALS

Highbury Shower wall surfaces are acrylic. Care should be taken not to chip or scratch the surface while working. Leave the protective Clear film on to protect the surface until all work is completed.

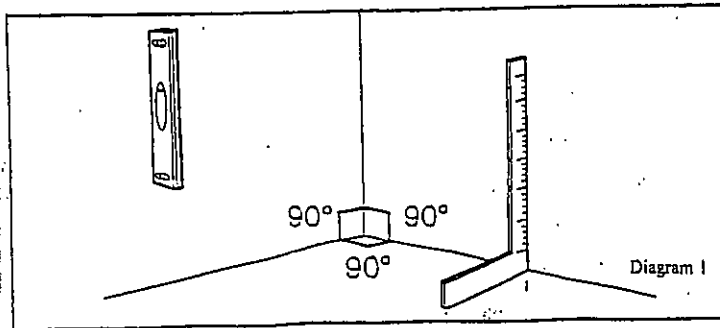
DRILLING

Use twist drills or hole saws suitable for wood. The work must be well supported on both sides around the hole to be drilled. Sharp drills are essential to achieve a clean cut.

CUTTING

This is not normally necessary. Small corrections can be made by carefully trimming the shower wall liner edges with either a sharp plane or "stanley" blade knife (using a straight edge as a cutting guide).

SITE PREPARATION



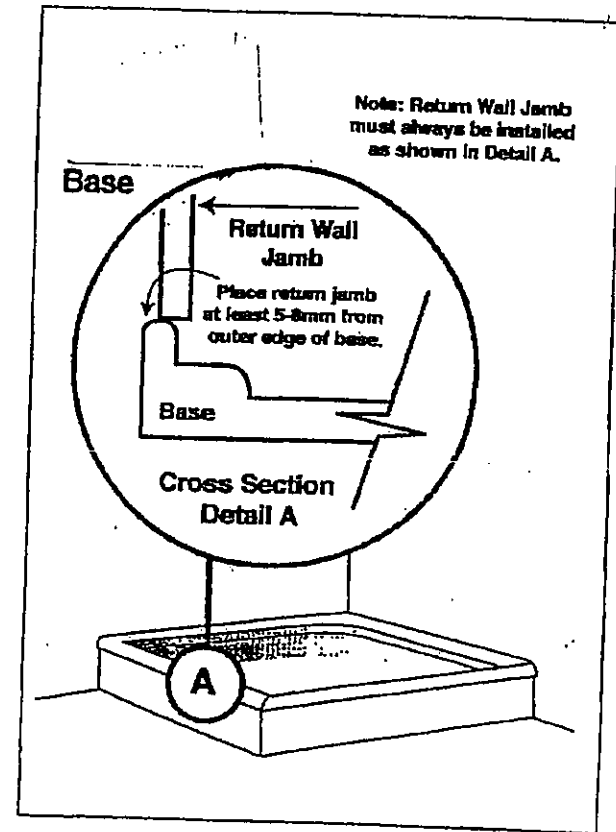
SQUARENESS.

Check all angles and levels. It is essential that the walls and floor are "True, Square and Plumb". If not, you may need to correct this by "packing out" where necessary.

CLEAN SURFACES.

Make sure that the gluing surfaces of the shower wall liner and wallboard are smooth and free from oil, grease or dirt before gluing.

Installation guideline for locating the Return/Side panel.



INSTALLING THE SHOWER BASE & SHOWER WALL LINER

SHOWERBOND APPLICATION INSTRUCTIONS

Description

Showerbond is a solvent based, fast grab adhesive specifically designed for bonding plastic shower linings to gypsum and fibre cement boards.

Application

Ensure both surfaces to be bonded are clean, dry and grease free.

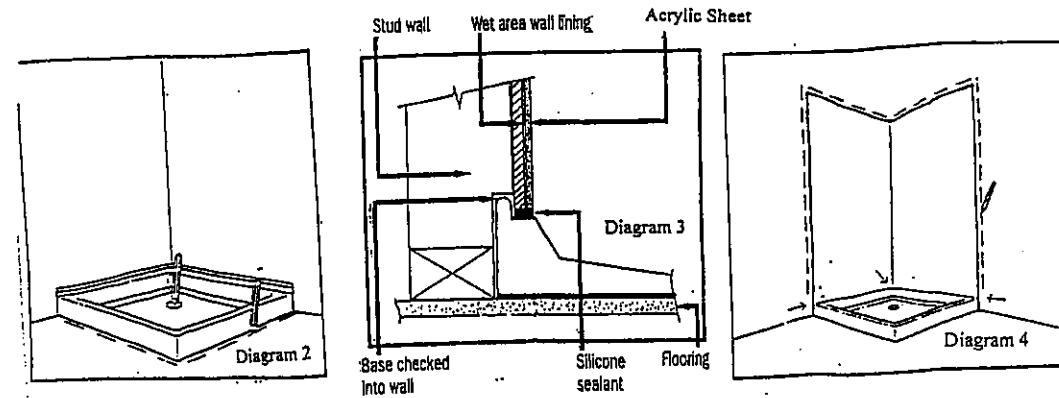
Cut the cartridge nozzle in a "V" shape (see below), so that a 3-5mm bead will be extruded.

Apply bead (3-5mm thick) in a square pattern of 1000mm centres onto substrate and apply continuous bead (3-5mm) within the perimeter line of the shower lining.

Place the lining onto wall within 10 minutes and brace firmly for at least 18 hours. Firmly press the entire sheet with your hands so that full contact is made with all beads of adhesive. Brace so that all of the shower lining is flush and level, (refer diagram). Shower should not be used for at least 24 hours after the wall has been installed.

Do not apply blobs of adhesive. These will cause slightly undulations and sheet buckling.

Clean up by using a dry clean cloth.



MARKING THE WALLS FOR FITTING OF SHOWER BASE.	DRY FITTING AND MARKING THE SHOWER WALL LINER.
<p>Place base on Floor and push firmly against wall, mark outline of base on studs. Remove base and notch out stud to allow tile lip to recess under stud (diagram 3). Re fit base and mark centre of waste and outline of base (diagram 2), once again remove base and a cut 50mm hole for waste in the floor. Before proceeding further check that water run off to the outlet is satisfactory. (It is important that the underside of the base should be fully supported – for details refer to instructions on base).</p>	<p>Stand the liner up, tape into position and using a pencil mark the wall board around the outside of the shower wall liner. (refer to Diag 4). Measure and offset tap and shower rose locations on wallboard. (refer to diagram 5).</p>

INSTALLING THE SHOWER BASE & SHOWER WALL LINER (cont)

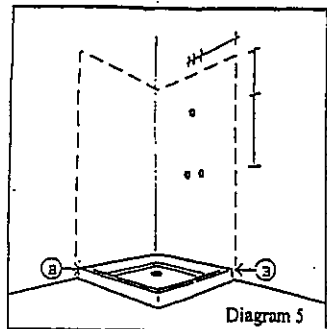
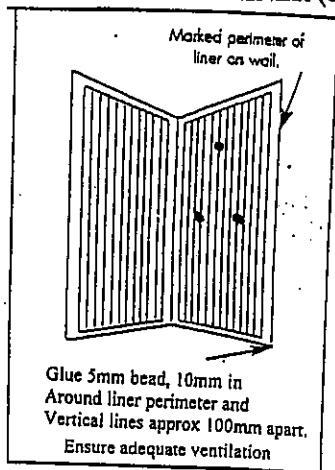


Diagram 5



Glue 5mm bead, 10mm in
Around liner perimeter and
Vertical lines approx 100mm apart.
Ensure adequate ventilation

Diagram 6

MARKING FOR PLUMBING.

Remove the shower wall liner and check with a level that the lines from the edge of the base are vertical. If they are not vertical check as to why. Measure the centres for the shower rose and handles from the lines you marked on the wallboard. Transfer these measurements to the shower wall liner and drill appropriate sized holes. Sand the rear surface of the shower wall liner with a heavy grit sandpaper to assist adhesion and dust off. Refit the wall liner to check hole positions. (diagram 5)

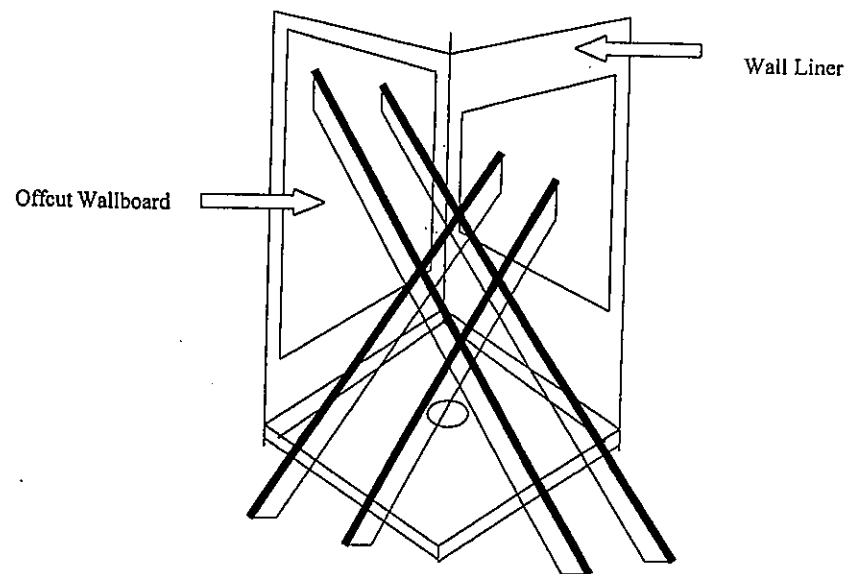
GLUE PATTERN

Cut the nozzle on the adhesive cartridge in a "V" shape to allow a 3-5mm-raised bead of glue. Apply a bead 10mm inside pencil line marking the perimeter of the liner (diagram 6). Starting on the shower rose wall apply vertical lines of adhesive in a 5mm bead at intervals of 100mm. Refit liner to the marks and starting at the back corner, work from the centre out and compress to ensure ripples are expelled from the glue lines. Push firmly with a soft cloth. Clean excess glue with white spirits. Allow 24 hours to dry and then remove plastic protective film

HANDY HINT – You may use some offcut wall board and some Props placed on 45 Deg angle to help secure the wall liner to the wall boards. (Diag 7)

SHOWER SYSTEM IS NOW READY FOR THE SCREEN TO BE FITTED (REFER SHOWER SCREEN INSTALLATION INSTRUCTIONS)

Alternatively contact your local plumbing supplies store to arrange installation of the door for a minimal fee.



NOTICE TO THE OWNER

Please be aware that the warranty of this product does vary.

Warranty

- Base has a 1yr warranty against any manufacturing defects. It is imperative the base be totally supported underneath, (refer installation instructions).
- Walls have a 12 month warranty against any manufacturing defects.
- Screens have a 12 month warranty against any manufacturing defects.
- Please note: Glass is not covered under any warranty.
- Should the product fail due to faulty material or workmanship it will be repaired or replaced at the manufacturer's discretion, (all cost other than product supplied will not be met by the manufacture). It is the responsibility of the purchaser to check the product for any defects or damage upon receipt and prior to installation. Failure to do so may void warranty. Failure due to other causes including the use of other than recommended installation procedures is not covered by warranty. It is recommended that base be stored in a vertical position (so as to avoid any cause for warping, do not lay flat).

NOTE:

FAILURE TO COMPLY WITH THESE INSTALLATION INSTRUCTIONS AND TO CONTINUE MAINTENANCE AS DETAILED ABOVE WILL VOID THIS WARRANTY.