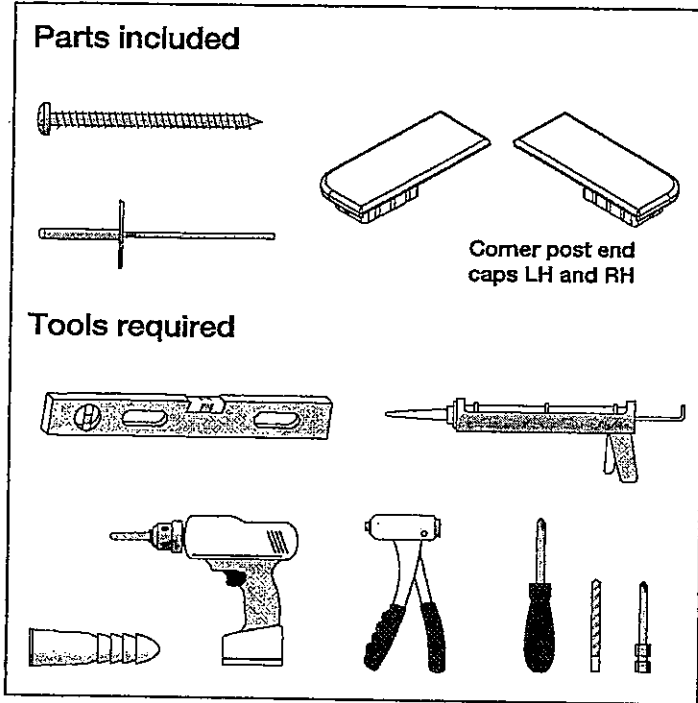


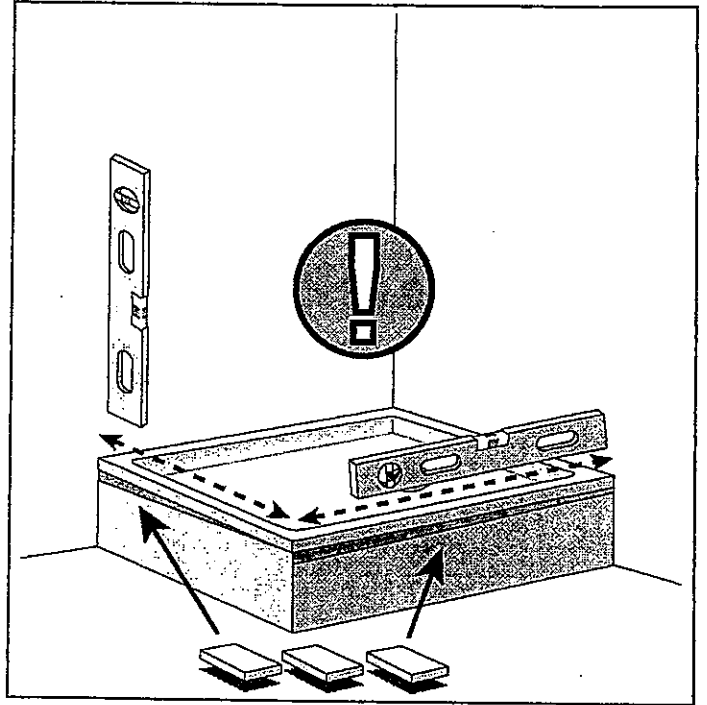
Semi Framed Screen

Parts and tools



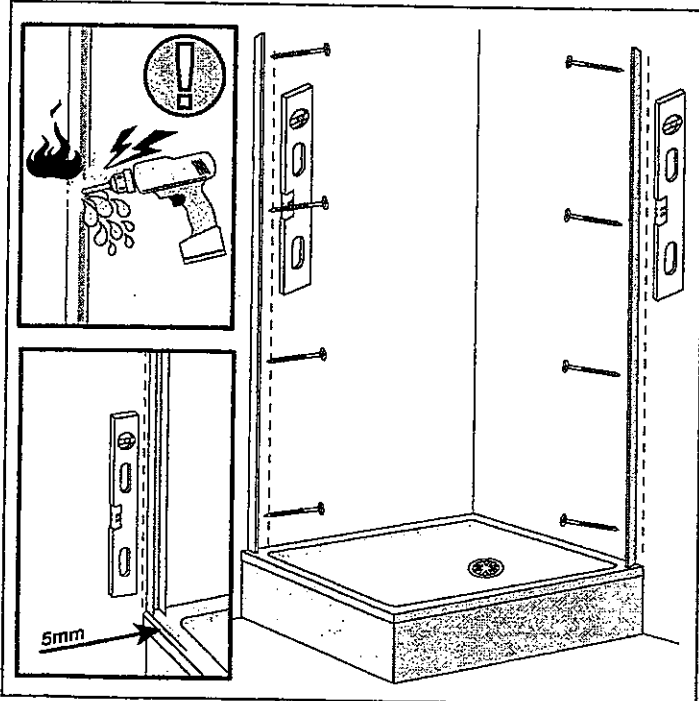
Drill size: N° 30 Double ended drill bit
Plug size: 80 mm

Step 1



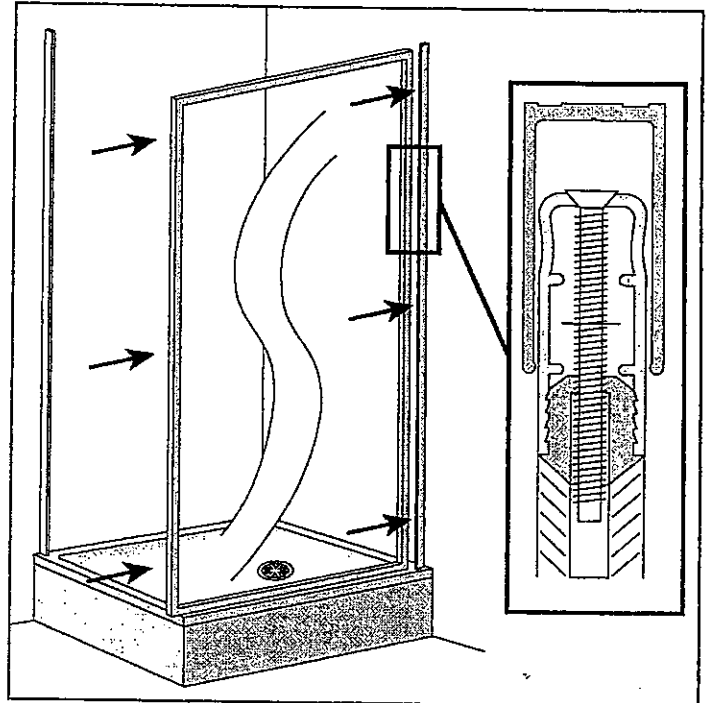
Ensure that installation occurs with a level base and walls. Perfect assembly on an unlevel base is not possible. Apply packers where required.

Step 2



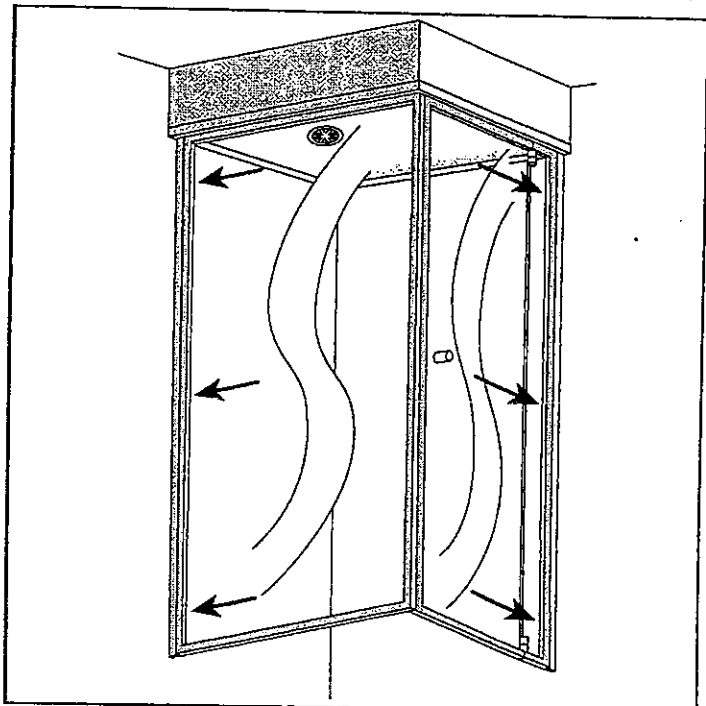
With a level, position door jamb 5 mm in from outside of base and fix using a 3.3 mm drill and screws provided.
NOTE:
Wall jamb must be plumb and should be inside tile lip. Where there is no timber behind, use raw plugs provided.

Step 3



Slide the return panel into the wall jamb and position the panel on top of the base. Fix using 3.3 mm drill and screws provided.

Semi Framed Screen



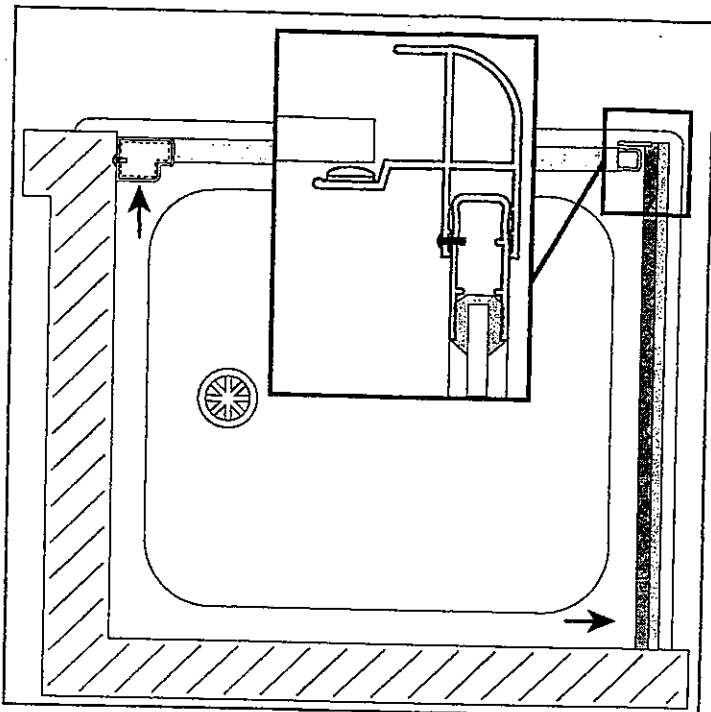
Step 4

Slide door into wall jamb and lift into position. To adjust width of door, expand in or out until door fits neatly.

NOTE:

The door is reversible by simply rotating the entire door by 180° to give left or right swing.

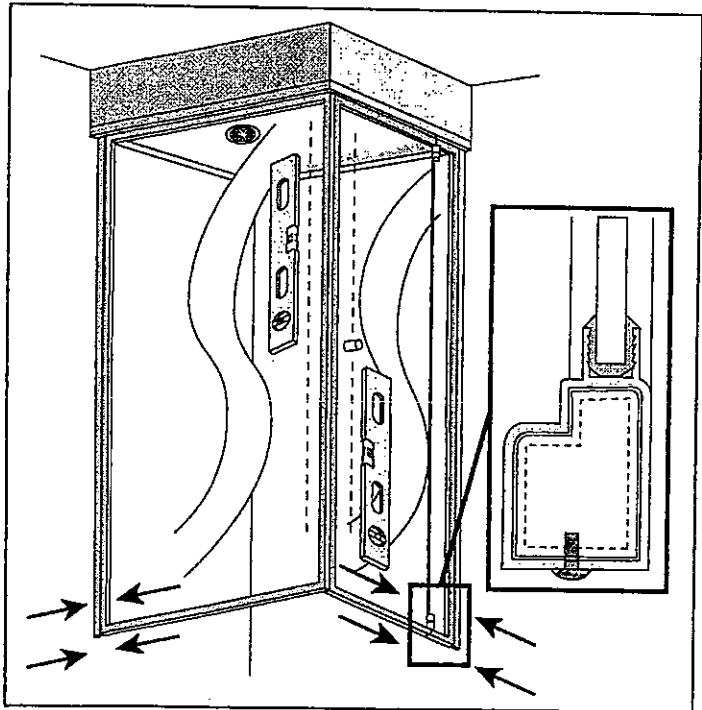
Step 6



Once all level and square, fix door and return to wall jambs as indicated using rivets provided. Then fix 90° return to door jamb using rivets.

NOTE: Fixing to be done on the inside only.

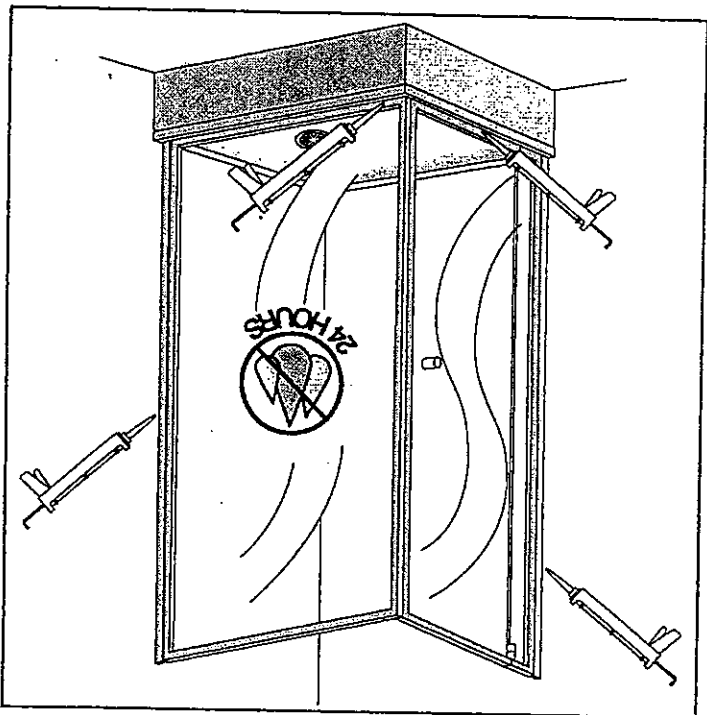
*Take care when handling glass.



Step 5

Ensure door and return is plumb using level. If not plumb, you can adjust in or out using wall jambs, or adjustable door. Drill and fix top slip joint as shown. Ensure door opens freely at top and bottom.

Step 7



When everything is operating correctly, run a fine bead of silicone along the outside edge only (as illustrated) to seal the unit. Smooth the silicone to ensure no water leakage. Leave overnight before using.

NOTE:

Only use neutral cure silicone with mould inhibitor.